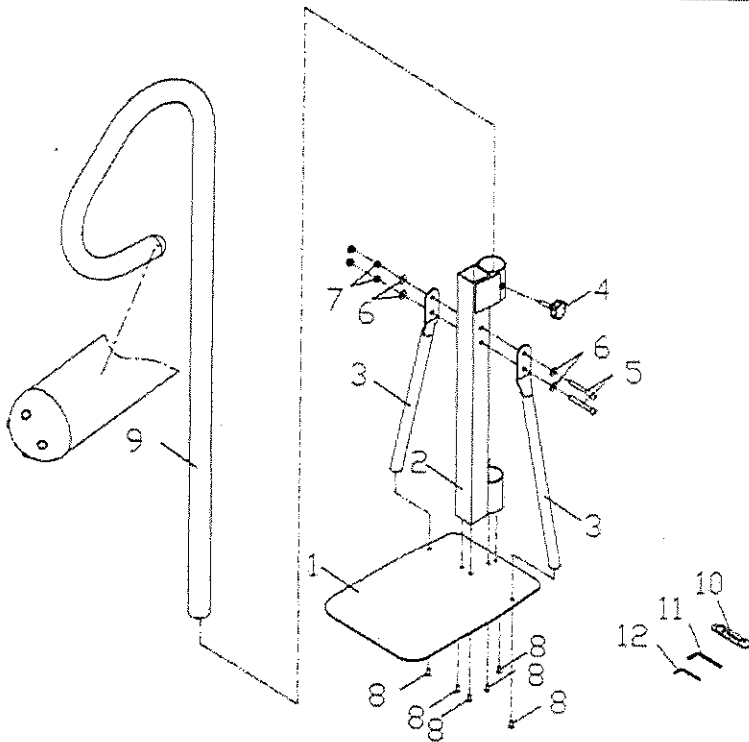
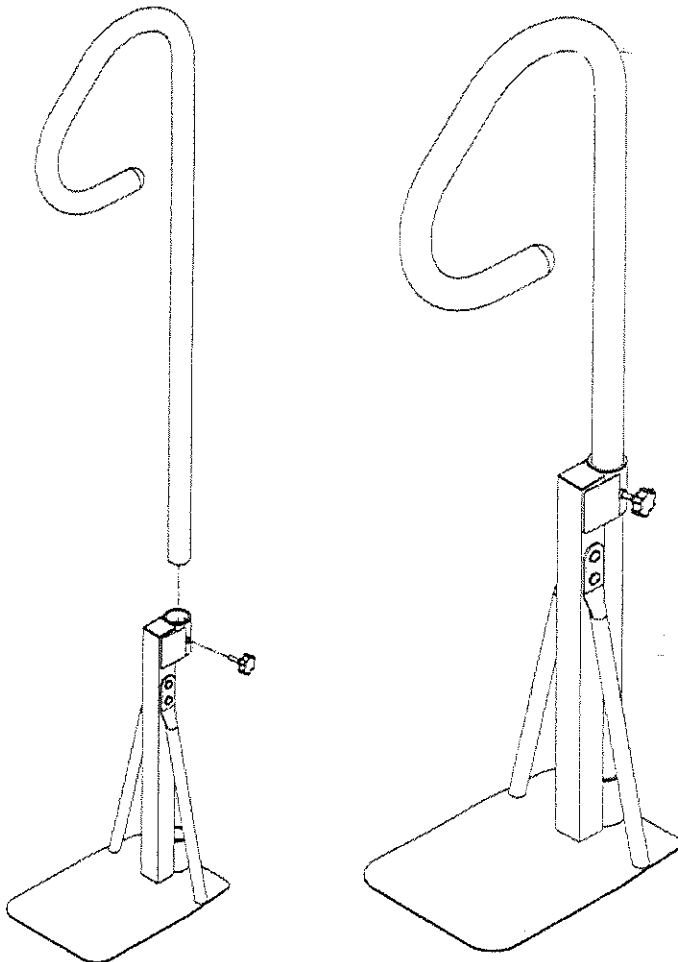


# SPA SIDE HANDRAIL W/ LED LIGHT OWNER'S MANUAL

## EXPLODED DIAGRAM & PARTS LIST



PART NO.	DESCRIPTIONS	QTY
1	Base Plate	1
2	Main Frame	1
3	Support Tube	2
4	Locking Knob	1
5	Hex socket screw M8	2
6	Flat Washer	4
7	Nut w/Plastic cap M8	2
8	Socket head screw M6	6
9	Handle	1
10	Wrench	1
11	Allen wrench 5mm	1
12	Allen wrench 4mm	1



### STEP 1:

Attach the MAIN FRAME and SUPPORT TUBES to the BASE PLATE using the SOCKET HEAD SCREWS M4.

### STEP 2:

Attach the SUPPORT TUBES to both sides of the MAIN FRAME using the 2 HEX SOCKET SCREWS, WASHERS, and NUTS.

### STEP 3:

Insert the HANDLE through the holes on the MAIN FRAME and fix with the LOCKING KNOB when necessary.