

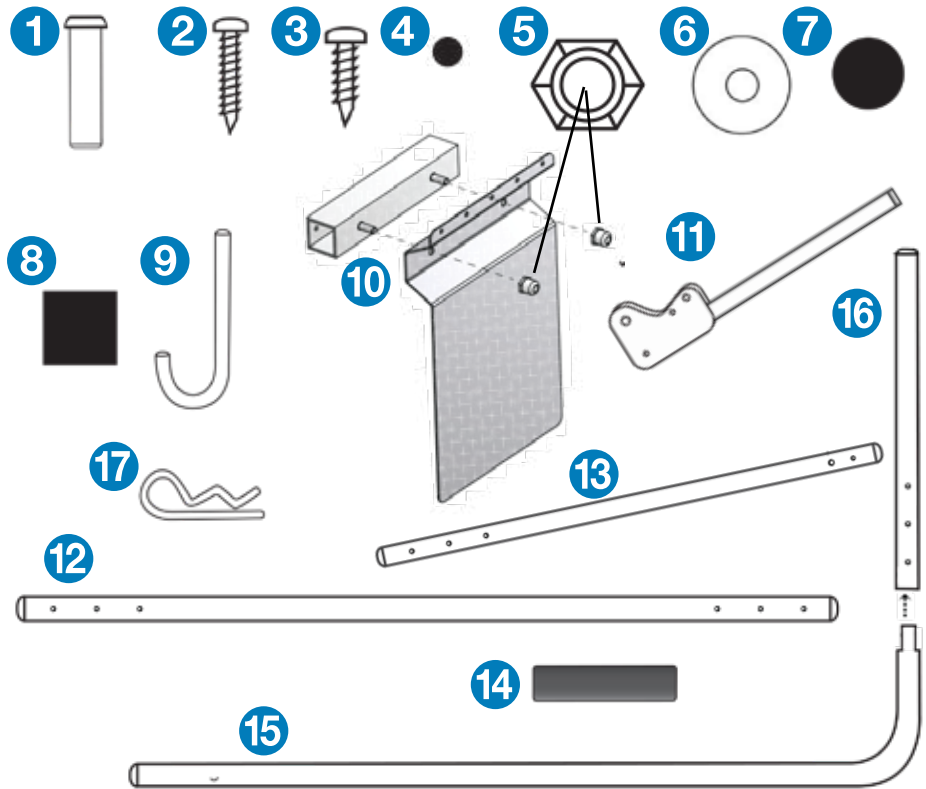
# How to install your **Ultralift Undermount** Cover Lifter



This is your step by step guide to installing the Ultralift Undermount Cover Lifter on to your hot tub or spa. Begin by opening the box your cover lifter came in and check the contents against the installation guide to ensure you have all the components required.

## PARTS LIST:

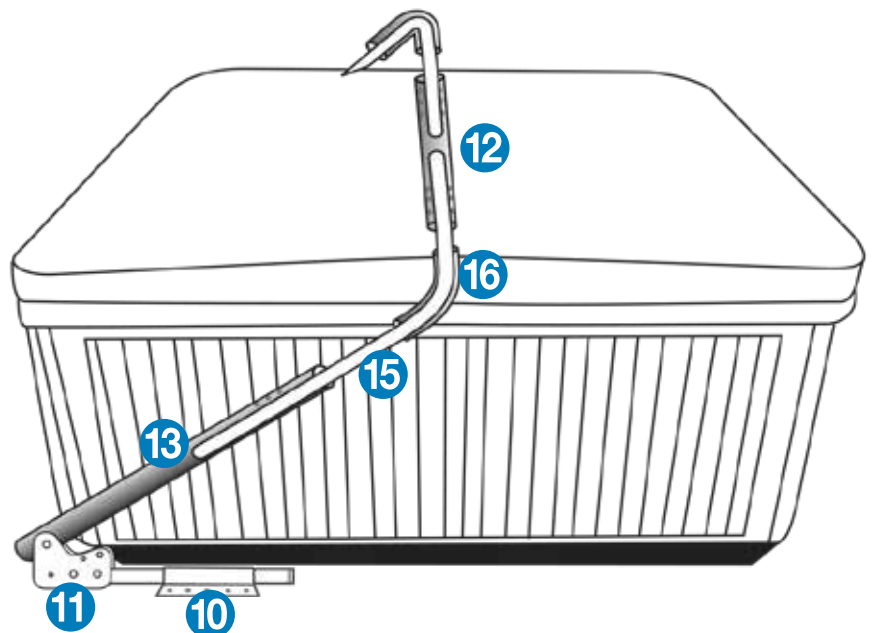
- 1 2X Bolt Pins
- 2 10X No.10 - 1 ¼ inch Cross Slot or Phillips Wood Screws
- 3 26X No.10 - 5/8 inch Cross Slot or Phillips Self-Tapping Screws
- 4 36X Black Plastic Screw Head Caps
- 5 4X 5/16 inch NYLON Lock Nuts
- 6 4X NYLON Washers
- 7 2X Round Black Plastic Caps
- 8 2X Square Black Plastic Caps
- 9 1X "J" Hook Pin (3 3/4" in Length)
- 10 2X Undermount Bracket Assemblies
- 11 2X Sliding Pivot Brackets
- 12 1X Center Pole
- 13 2X Round Pivot Arms
- 14 2X Foam Grips
- 15 2X Corner Support Arms
- 16 2X Short Support Arms
- 17 2X Clevis (Cotter) Pins



## TOOLS LIST:

- 6 Foot Tape Measure
- Ratchet Wrench
- 5/16" Socket Bit
- 5/16" Open End Wrench
- Cordless Power Screwdriver or drill
- A number of Cross Slot or Phillips screw driver bits.
- Needle Nose Pliers
- Small Flat Head Screwdriver

## Diagram of Finished Assembly



**With your hot tub empty you are set to start the install of your new Cover Lifter...**

## Step One:

- 1a) Ensure that the hot tub is 16 inches or more out from any wall, obstruction or fence. This provides ample clearance for your cover to sit into once your cover lifter is installed.
- 1b) Place your hot tub cover squarely over the hot tub and in the position you would like it to open. We recommend that you have your cover open from the equipment pack (Topside Control) end. This ensures that you are not mounting brackets to doors or panels that may need to be removed to access heater and pumps.
- 1c) Insert the two Round Plastic Caps **7** into the ends of the two Round Pivot Arms **13**. (The end with the two larger holes)
- 1d) Insert the two Square Plastic Caps **8** into the open ends of the two Sliding Pivot Brackets **11**.
- 1e) Then install the **14** Foam Grips onto the **15** Corner Support Arms, first lubricating the interior of the foam grips for easier application.

**Installation Tip:** Rub the inside rim of the Foam Grips with dish soap to lubricate them making it easier to slide them into place.

- 1f) Assemble the Corner Support Arm **15** by inserting it into the Short Support Arm **16**, then secure them together with three Number 10 Self-Taping Screws **3** and repeat this assembly to create a second completed arm.

## Step Two:

With your cover in the closed position begin the next step...

- 2a) Assemble the two-piece Mounting Bracket **10** using two 5/16 inch NYLON Lock Nuts **5** as shown.
- 2b) Slide the large flat end of the Undermount Bracket Assembly under the base of the hot tub at the edge of where the corner radius begins this should be eight inches from the back of the hot tub (See Hint Below) and the raised section of the bracket should be 2 inches out from the hot tub cabinet. Repeat the same process on the opposite side of the hot tub.

**Hint:** Use the Center Post **12** as a straight edge to mark the back edge of the hot tub and measure forward 8 inches from there.

## Step Three:

- 3a) Insert the Sliding Pivot Bracket **11** into the Mounting Bracket **10** and position it so the back of the Sliding Pivot Bracket **11** is flush with the back of the Hot tub.

**Hint:** Use the Center Post **12** as a straight edge to mark the back edge of the hot tub. Then measure forward 8 inches from there.

- 3b) Secure both Sliding Pivot Brackets **11** into the Mounting Brackets **10** using the No.10 5/8-inch Self-Taping Screws **3**.

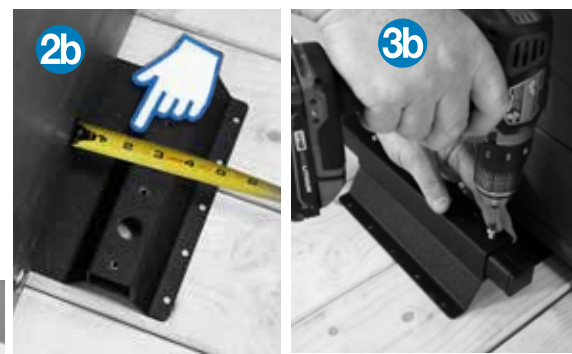
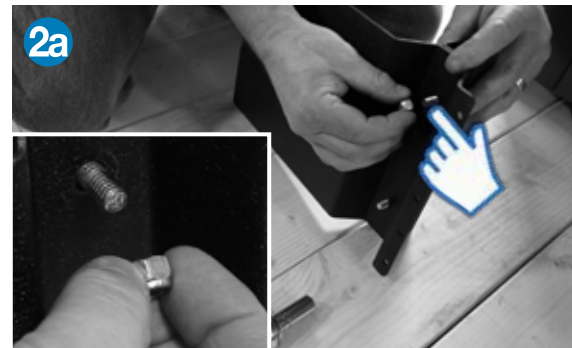
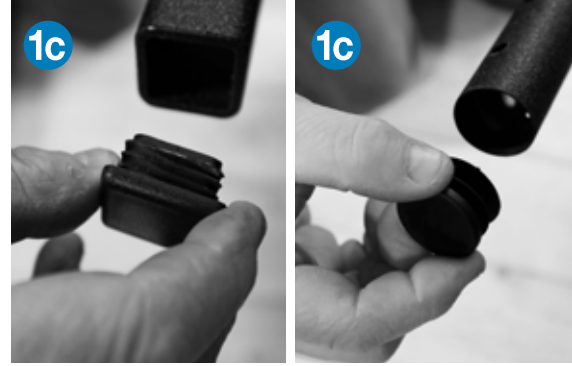
There are two options for securing your Ultralift Undermount Brackets **10**.

- 3c) You can either secure the Mounting Brackets **10** onto your deck using the supplied 1 1/4 inch No. 10 Wood Screws **2** on both sides of the hot tub, **or you can choose** to let the weight of your hot tub once filled with water hold the mounting brackets of the cover lifter in place.

## Step Four:

With your cover in the closed position begin the next step...

- 4a) Place the Center Pole **12** across the tub along the cover fold. Slide the shorter end of the Corner Support Arm **16** into the Center Pole **12** and repeat this on the end of the Center Pole with the other assembled arm.
- 4b) Slide the Round Pivot Arm **13** over the assembled Corner Support Arm **15**, aligning the hole at the end of the Sliding Pivot Arm with the top hole in the Slider Pivot Bracket **11**. Alignment shown in image 5a on the next page.



## Step Five:

- 5a) Position the Nylon Washers **6** on either side of the Round Pivot Arm **13** in the Sliding Pivot Bracket **11**, then secure them into place by sliding through the Bolt Pin **1**.
- 5b) Secure the Bolt Pin **1** into place using the supplied Clevis Pin **17** (Cotter Pin). Repeat this step on the opposite side of the hot tub.

## Step Six:

- 6a) Check to make sure that the Center Pole **12** that crosses over the cover is 1 inch back of the center folding seam and that the Round Pivot Arms **13** are 1.5 inches out from the cabinet on both sides of the hot tub.
- 6b) Ensure that the Center Pole **12** runs parallel to the folding seam of the cover, then on the side of the hot tub secure the Round Pivot Arm **13** with three No.10 5/8" inch Self-Taping Screws **3** to the Corner Support Arm **15**.
- 6c) Step back and make sure that the Round Pivot Arms **13** are still 1.5 inches out from the hot tub on both sides and the Center Pole **12** is sitting 1 inch back of the center seam. If so, finish securing the Round Pivot Arm **13** on the opposite side of the hot tub.
- 6d) Now place a protective layer of cardboard under the Center Pole **12** and rotate it so that the screw holes are facing the rear of your hot tub - not on the top or the bottom. Once in position secure with three No.10 5/8" inch Self-Taping Screws **3**. Repeat this step on the other side.

## Step Seven:

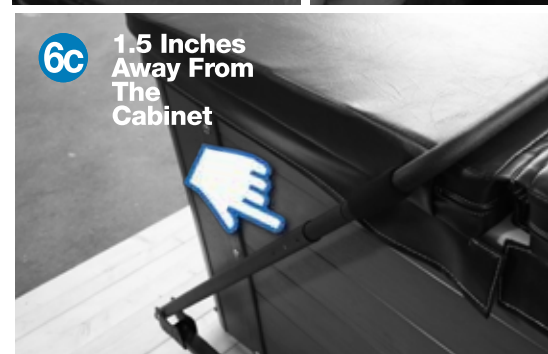
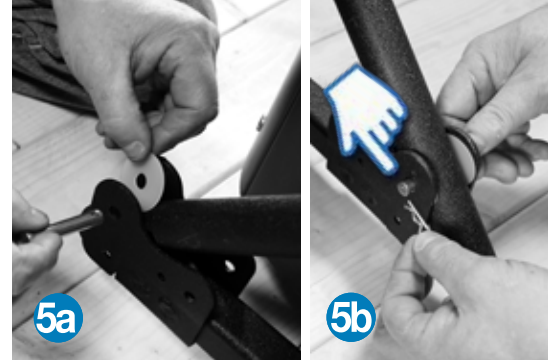
You are almost there...

- 7a) Cover the Self-Taping Screws and Wood Screws with the Black Plastic Caps **4** that snap over the heads of each screw, finishing the look.
- 7b) Then install the J-Hook **9** into the Sliding Pivot Bracket **11** in the Open Position Hole with the cover up, this ensures some added safety. When the cover is down move the J-Hook **9** to the Closed Position Hole.

**SAFETY TIP:** The J-Hook should ALWAYS be inserted into the Pivot Bracket when the hot tub cover is opened, for added safety, and removed to close the cover.

**You have now installed your Ultralift Undermount Cover Lifter.**

**Remember...** to always fold back your cover before using the Cover Lifter to lift the cover into its final resting place - this ensures a longer life for your cover and Cover Lifter extending your enjoyment of your hot tub.



# Ultralift Undermount Cover Lifter

## ONE (1) YEAR LIMITED WARRANTY

---

### **THE WARRANTY:**

SMP Specialty Metal Products Inc. warrants to you (the Original Retail Purchaser) that, for the stated Warranty Term, SMP Specialty Metal Products Inc. will repair or replace any part of Ultralift Hot Tub / Spa Cover Lifter which is defective in material or workmanship. It is important that you report to the Retailer from whom you purchased Ultralift, any defects as soon as they are detected. If it is impractical to report any defects to the Retailer, contact: **SMP Specialty Metal Products Inc. 326 Watline Ave. Mississauga, ON L4Z 1X2 CANADA Phone: 800-597-1343 Email: info@theultralift.com**

After notification, you may be asked to return Ultralift to the Retailer from whom it was purchased or ship it back to SMP Specialty Metal Products Inc. for inspection. If you are requested to return UltraLift to SMP Specialty Metal Products Inc., you will be responsible for the cost of such transportation. SMP Specialty Metal Products Inc., after repair or replacement, will pay the cost of return shipping to you or to the Retailer from whom you purchased the Ultralift.

**NO RETURNS OF MERCHANDISE WILL BE ACCEPTED UNTIL A RETURN AUTHORIZATION NUMBER HAS BEEN ISSUED TO YOU BY SMP Specialty Metal Products Inc.**

### **WARRANTY TERM:**

This warranty lasts 1 year from the date of purchase of UltraLift by the original retail purchaser. Warranty will terminate at the end of the 1 year period or at the time ownership of Ultralift transfers, whichever occurs first.

### **LIMITATIONS AND EXCLUSIONS:**

The following clauses that are listed may reduce SMP Specialty Metal Products Inc. responsibility under this warranty.

### **IMPLIED WARRANTIES:**

SMP Specialty Metal Products Inc. makes no implied warranties (warranties the law sometimes implies to have been given by the seller even though they are not described in writing) of merchantability or fitness for a particular purpose. Some provinces / states do not allow an exclusion or limitation on how long an implied warranty lasts, so this exclusion may not apply to you.

### **PROOF OF PURCHASE:**

Proof of purchase by the Original Retail Purchaser is required for Warranty Consideration.

### **COMMERCIAL USE:**

This warranty is in effect only when Ultralift has been purchased for private residential use. Commercial use is not covered under this warranty.

### **ACCIDENTS, ABUSE AND NORMAL WEAR:**

This warranty does not cover damage resulting from negligence, abuse, normal wear or accidents. Examples of accidental and abusive damage include, but are not limited to the following:

1. Use of abrasive or unapproved cleaners that could cause surface damage.
2. Subjection to solvents or other chemicals which could deteriorate painted surfaces.
3. Use for any purpose other than as a spa cover lifter.

### **CONSEQUENTIAL DAMAGES:**

SMP Specialty Metal Products Inc. will not be liable for any loss, expense, or damage other than to Ultralift, that may result from a defect in materials or workmanship. (Some provinces / states do not allow the exclusion or limitation of incidental or consequential damages, so the above mentioned limitation may not apply to you.)

### **YOUR WARRANTY RIGHTS:**

This warranty gives you specific legal rights and you may also have other rights which vary from province / state. Except for such other rights, the remedies provided under this warranty state the limit of SMP Specialty Metal Products Inc. responsibilities.